

**MG 200 MANUAL GUN
INSTRUCTION MANUAL**

Caution

Read this manual completely before installing and operating the equipment.

Ensure all safety instructions and procedures are correctly followed and that all operators are fully trained.

Important: All other manuals relevant to components and equipment of the installation must be followed.

MG200

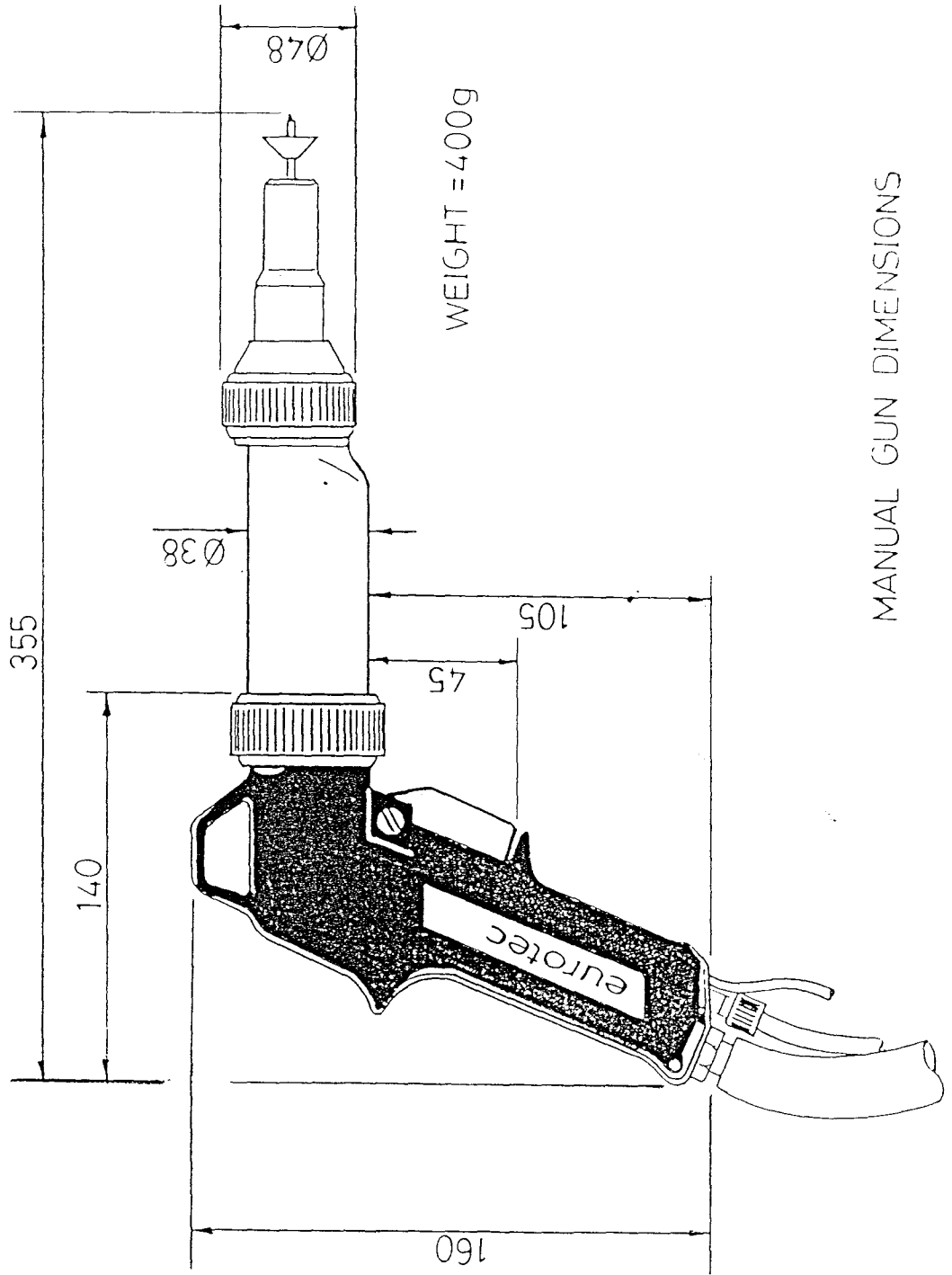
MANUAL POWDER GUN

Pt. No. 3002002

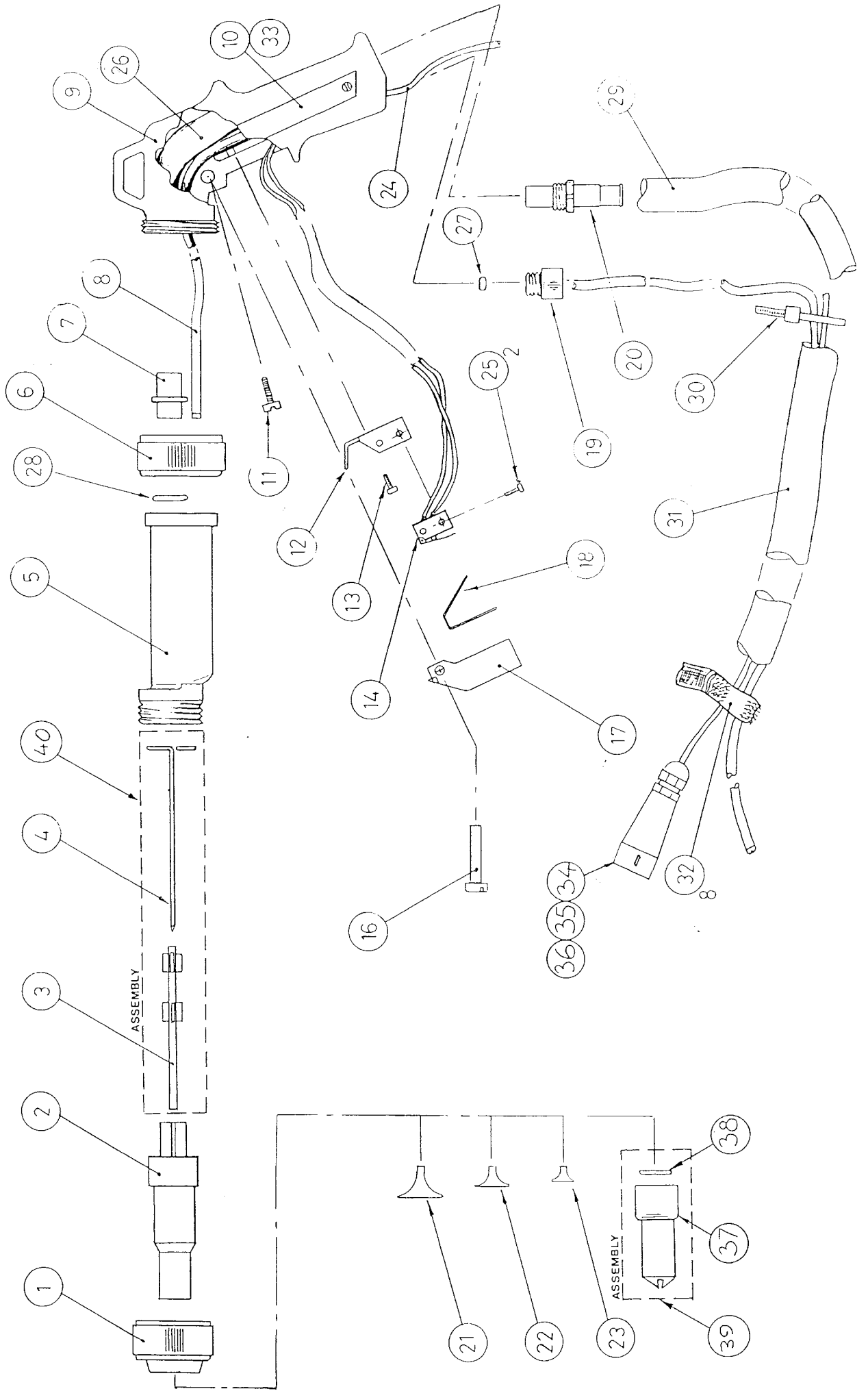
The Eurotec MG 200 manual powder gun is a robust, high efficiency powder coating spray gun. It is lightweight, comfortable and well balanced, and features an injection moulded plastic handle.

A single point charging electrode is used to produce a high efficiency charge transfer. Three sizes of powder deflectors are supplied as standard, in addition to a slotted nozzle, which is particularly useful for coating large flat panels. An extension nozzle (Pt. No. 3002035) and a small cup nozzle (Pt. No. 3002004) are also available.

The MG 200 is supplied with 5 metre hoses and cables as standard, although other lengths may be supplied on request.



MANUAL GUN DIMENSIONS



Item List - MG 200 Gun Assembly

Part No. 3002002

Item No.	Part No.	Description
1	3002012	Nozzle Locking Nut
2	3002027	Standard Nozzle
3	3002061	Needle Support
4	3002019	Needle
5	3002010	Barrel
6	3002011	Barrel Lock Nut
7	3002016	Barrel Spigot
8	5000019	H.T. Cable
9	3002015	Handle
10	3002007	Name Plate LH
11	3002036	Trigger Screw
12	3002023	Trigger Bracket
13	9000501	Screw M3 x 6
14	9001021	Micro Switch
15		
16	3002021	Trigger Bush
17	3002009	Trigger
18	3002022	Trigger Spring
19	3002013	H.T. Cable Gland
20	3002014	Powder Connector
21	3002020	Large Spreader Assembly
22	3002024	Medium Spreader Assembly
23	3002025	Small Spreader Assembly
24	9000439	Trigger Cable
25	9000496	Screw M2 x 10
26	9001033	Hose Stub
27	3002017	H.T. Collet
28	9001036	Seal
29	9001220	Powder Hose
30	9000022	Cable Tie

31	9000109	Sleeve
32	9000256	Velcro Tie
33	3002006	Name Plate RH
34	9000101	Connector Hood
35	9000135	Connector Insert, 4 Pin + E
36	9000144	Cable Gland
37	3002070	Slotted Cap
38	3002028	O-ring (Slotted Cap Assembly)
39	3002008	Slotted Cap Assembly
40	3002026	Needle Assembly