

**AG 200 AUTOMATIC GUN
INSTRUCTION MANUAL**

Caution

Read this manual completely before installing and operating the equipment.

Ensure all safety instructions and procedures are correctly followed and that all operators are fully *trained*.

Important: All other manuals relevant to components and equipment of the installation must be followed.

AG200 AUTOMATIC GUN

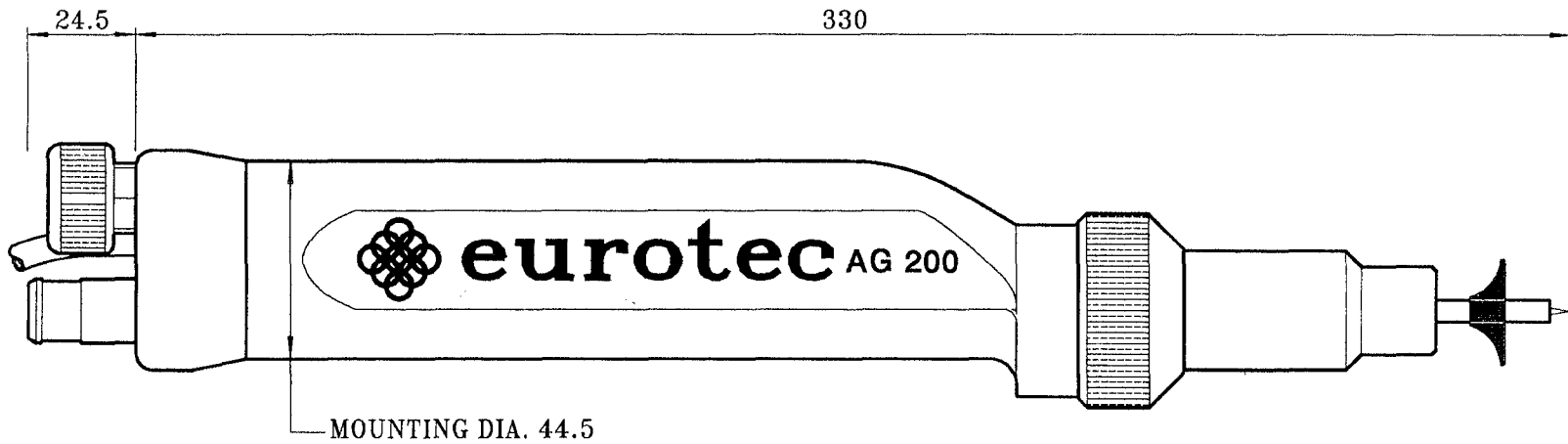
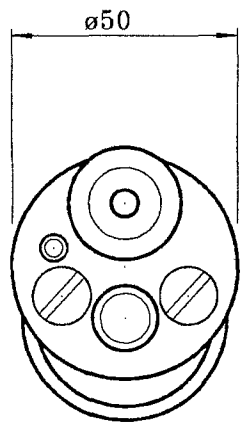
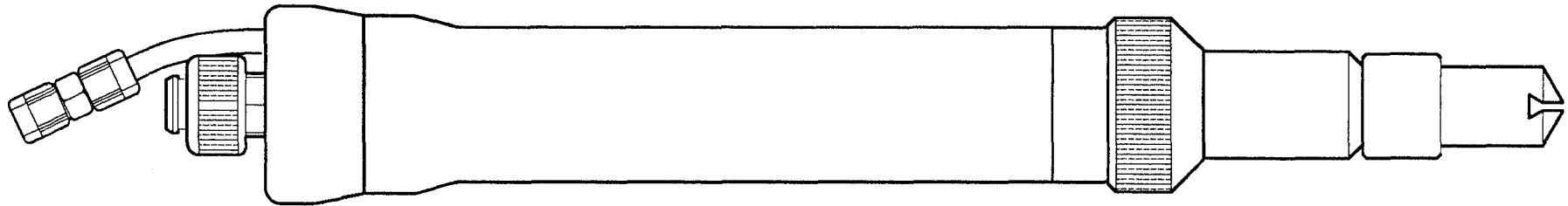
The Eurotec AG 200 Automatic Powder Gun is a robust and compact, high efficiency corona type powder coating spray gun. It may be mounted in a swivelling clamp on the end of a support arm, thus giving maximum flexibility of the gun position and angle with respect to the workpiece. The gun and support bar may be carried on gun manipulators such as a Reciprocator or Swinger TM, or mounted in a fixed position on a booth mounted support bar.

The charging system uses a single point charging electrode for a high efficiency charge transfer. The nozzle may be fitted with 3 sizes of deflector for circular fan patterns or a slotted cap adapter for flat panels. The nozzle is capable of variable velocity powder emissions by virtue of the gun air injected as a vortex at the front of the nozzle. Low velocity emissions achieve excellent penetration characteristics and high velocity emissions will give greater reach when coating large deep objects. This air supply will also purge the slotted nozzle and prevent any powder build up.

The high voltage cable gland contains a special wiping seal to remove contamination from the high voltage cable if it is removed and re-inserted. All services to the gun may be quickly disconnected to ease and simplify servicing. The AG 200 Gun is manufactured with a minimum number of components for enhanced reliability and may be dismantled and re-assembled in seconds for ease of servicing.

AG 200 AUTO GUN DIMENSIONS

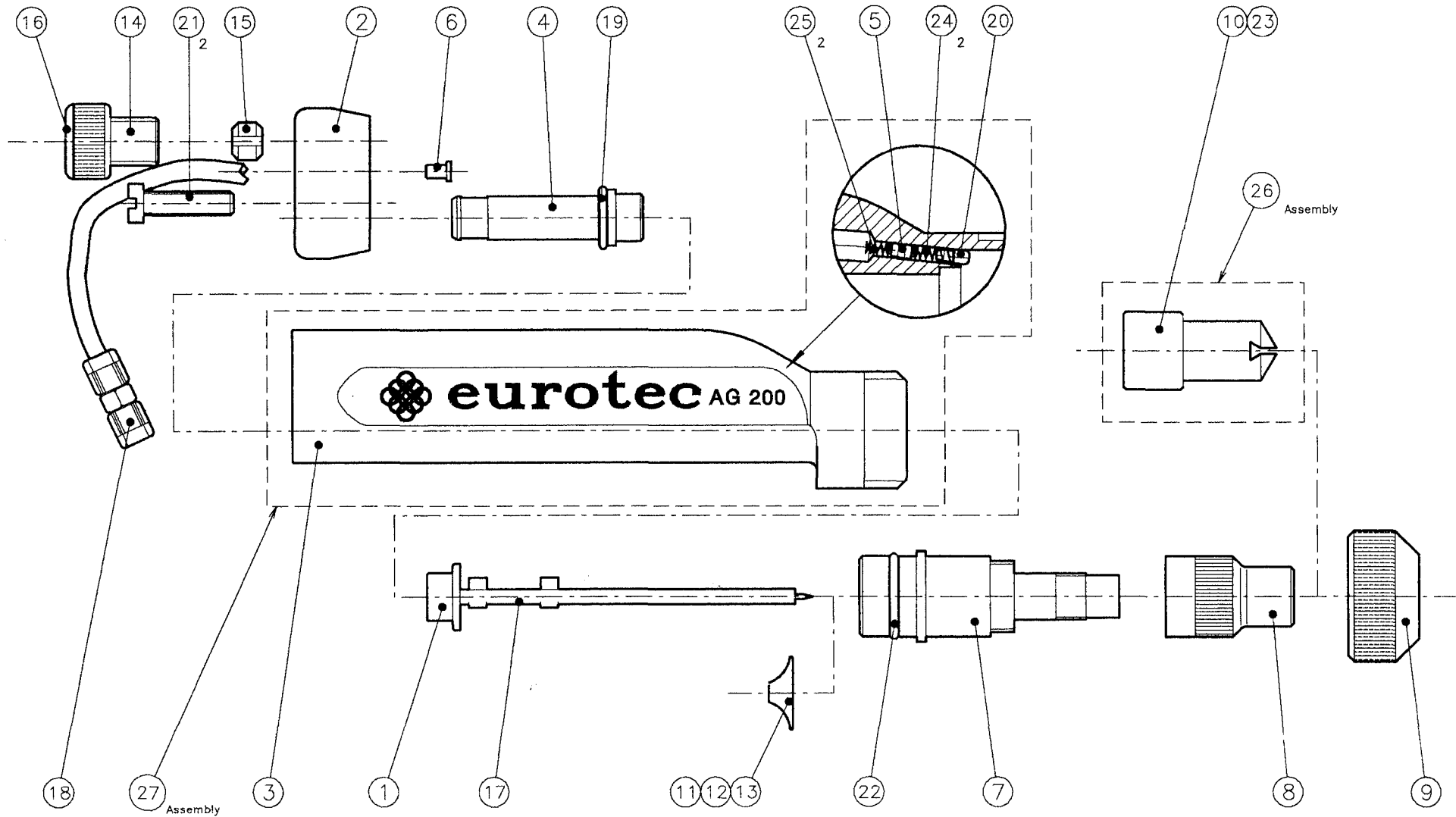
Pt. No. 3005002



MASS = 0.5 kg
ALL DIMENSIONS IN MM

A.G. 200 AUTOMATIC GUN ASSEMBLY

Pt. No. 3005002

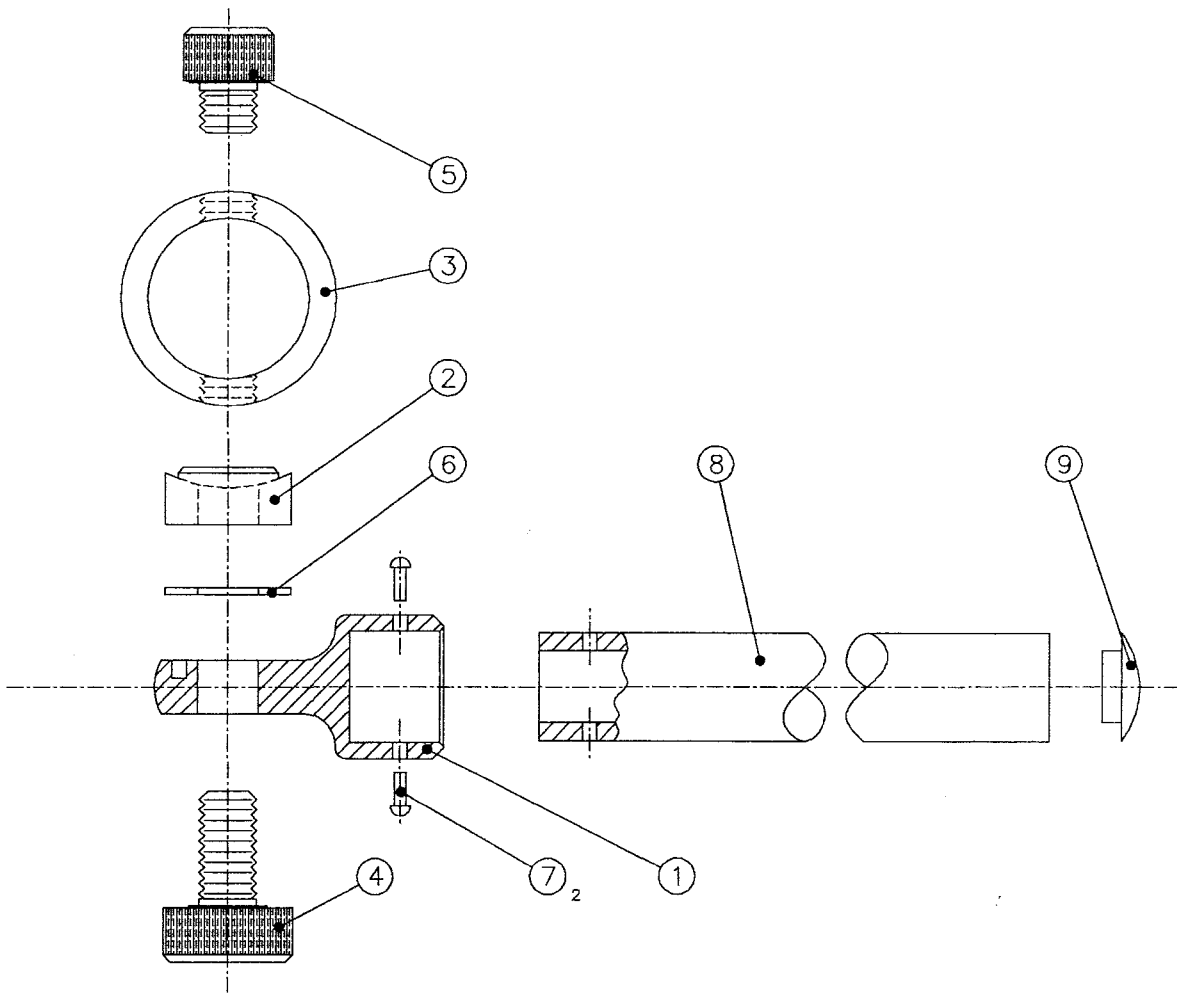


Item List - A.G. 200 Assembly

Part No. 3005002

Item No.	Part No.	Description
1	3005009	Electrode Assembly
2	3005010	Rear Housing
3	3005011	Barrel
4	3005012	Powder Tail
5	3005017	H.T. Contact Plug
6	3005018	Airline End
7	3005019	Nozzle Body
8	3005020	Nozzle Front
9	3000017	Nozzle Nut
10	3002070	Flat Spray Nozzle
11	3002020	Large Spreader Assembly
12	3002025	Medium Spreader Assembly
13	3002024	Small Spreader Assembly
14	3000028	H.T. Cable Gland
15	3000026	H.T. Cable Collet
16	9000072	H.T. Cable Seal
17	3002061	Needle Support
18	9000116	Straight Connector
19	9001059	O-Ring
20	3005023	H.T. Contact Pin
21	9000711	Nylon Screw M8
22	9001060	O-Ring
23	3002028	O-Ring (Flat Spray Nozzle)
24	3000022 3002018	Spring
25	9000492	Screw, M2
26	3002008	Flat Spray Nozzle Assembly
27	3005003	Barrel Assembly

GUN CLAMP ARRANGEMENT



Part No. 3001022

Item No.	Part No.	Description
1	3001009	Gun clamp spigot
2	3001010	Gun clamp support
3	3001011	Gun clamp collar
4	3001012	Gun clamp screw
5	3001013	Gun clamp collar screw
6	3001014	Gun clamp washer
7	9000482	Rivet
8	9001209	Mounting tube
9	9001211	End cap